

Active Backplane PCI/ISA 14 Slot

Order Nr.: 96M1228D

Technical Specifications

CPU

2 x PICMG slot for SBC

ISA

5 x ISA slot, 16 bit

PCI

7 x PCI slot, 32 bit
4 behind PCI Bridge (secondary), 3 direct (primary)

Keyboard connectors

2 internal keyboard connectors

Keyboard DIN connector

Control LEDs

Power supply connector

Standard AT power supply connector (P8, P9)
Standard ATX power supply connector

Terminal screw block

+5V, -5V, +12V, -12V, VCC, GND

Cooler Fans

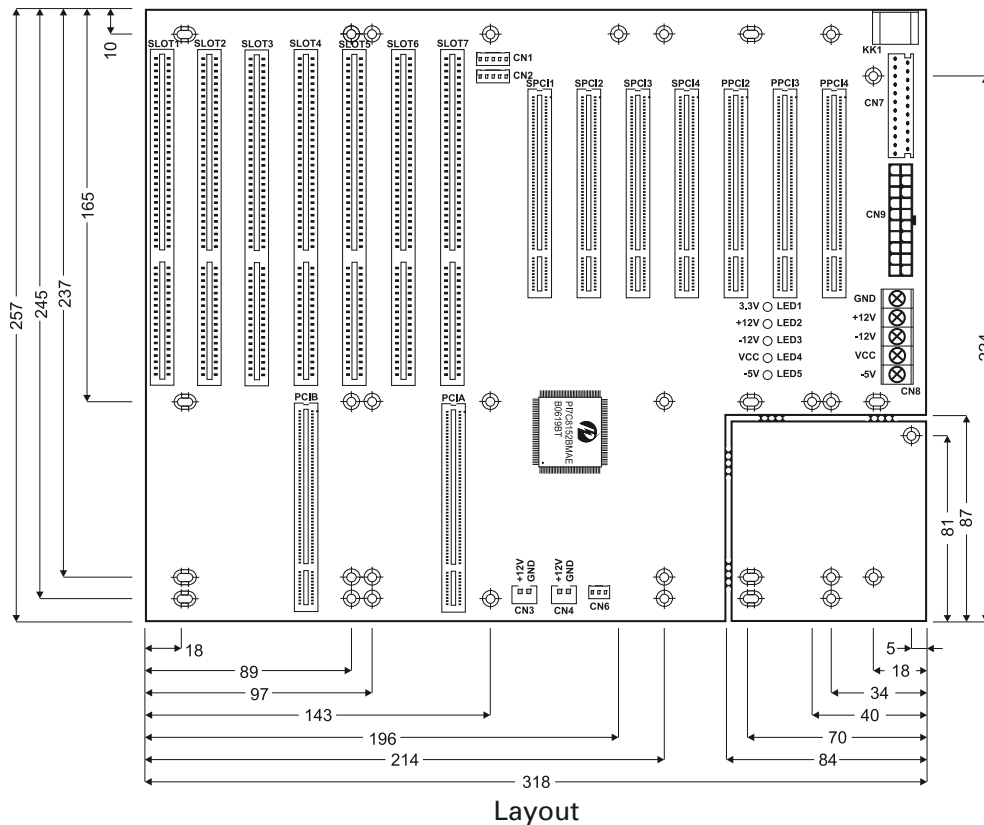
Connectors for 2 system cooler fans

Dimensions

318 x 257 mm (W/H)

2 years Warranty

CE compliant



DSM[®] Computer
DSM Computer AG
 Industrial Park
 Am Loferfeld 50-54
 81249 Munich, Germany
 Tel.: +49 (0)89-15798-250
 Fax: +49 (0)89-15798-196
 www.DSM.AG
 Sales@DSM.AG