



NanoServer® NN-A

industrial case
58 mm flat
Intel® Atom™
optionally fanless

TECHNICAL SPECIFICATIONS

Embedded Controller

- Intel® Atom™ N270 1.6 GHz
- Up to 2 GB DDR2 RAM, 533 MHz, 1 GB equipped
- Intel® 945GSE and ICH7M chipset
- Intel® 82574L GigaBit LAN, PCIe
- Intel® 82562ET 10/100 base-TX LAN
- Intel® GMA 950 VGA, up to 224 MB shared memory, max. resolution 2048 x 1536 @ 75 Hz, DVI and VGA interface
- Realtek ALC662 audio controller, Line-Out, Line-In and Mic
- Serial ATA for 2 SATA II 300 drives
- Controller with one IDE port (2 x EIDE drives)
- 4 serial ports (3 x RS232, 1 x RS232/RS422/RS485)
- 8 x USB 2.0 (6 x external, 2 x internal), 2 x PS/2 ports
- 1 x Mini-PCI-Express (x1) slot (internal)
- Compact Flash socket (internal)

Case

Solid high-quality industrial case

- Control LEDs
- Incl. 5 cm system cooler fan, temperature controlled
- Incl. mounting rails
- Power supply:
 - via external power supply, 100 - 240 VAC
 - or directly via 12 VDC
- Dimensions WxDxH: 204 x 226 x 58 mm
- Operating temperatures: 0° ~ 50° C

250 GB 2.5" SATA II 300 quality harddisk (or larger)

Direct access to the Mini-PCI-Express slot, Compact Flash socket and HDD via bottom flap

2 years warranty, burn-in, CE-compliant

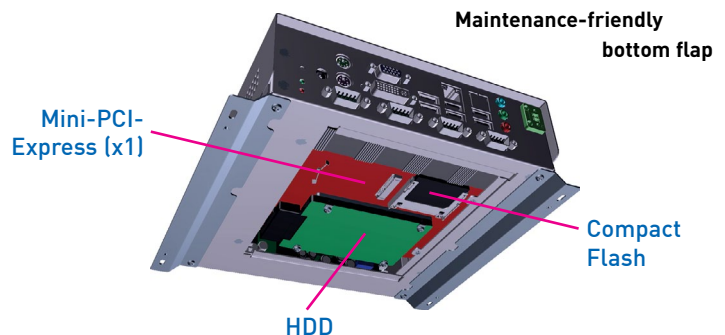
Other configurations and operating systems on request!

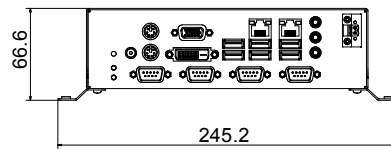
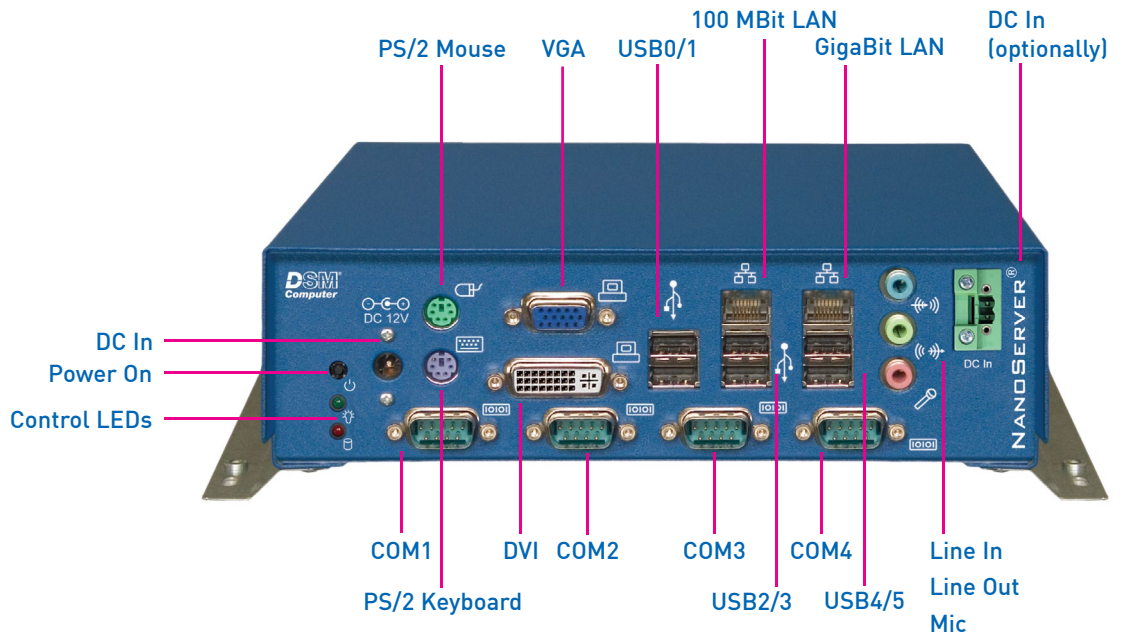
OPTIONS

- Power supply: 24 VDC input (industrial connector)
- SSD (Solid State Drive) instead of HDD
- Fanless (operating temperatures: 0° ~ 40° C)*
 - * Only with industrial HDD or without rotating mass storage devices.
- DIN rail mount

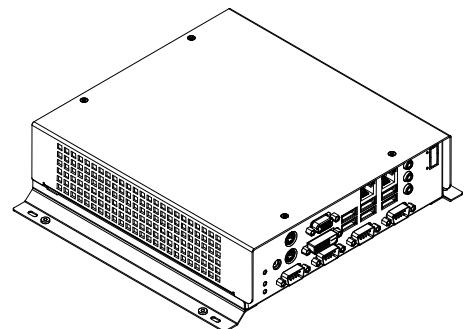
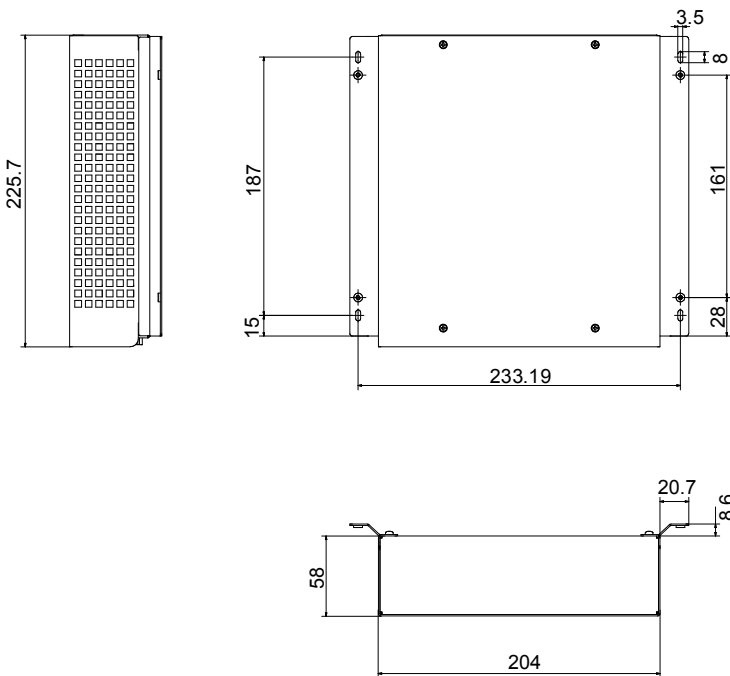
ON REQUEST

- Wireless LAN 802.11b/g/n
- In your customer color available
- With your corporate logo





Layout 96M1563



ORDER NUMBER

96M1563

■ NanoServer[®] NN-A

Published: April 2012. Subject to change without prior notice