

**NanoServer® NN-GM45**

opening for maintenance
58 mm flat
Intel® GM45
Mini-PCIe

TECHNICAL SPECIFICATIONS**Embedded Controller**

- Intel® Core™ 2 Duo P8400 2.26 GHz
- Up to 8 GB DDR2 RAM, 667/800 MHz, 1 GB equipped
- Intel® GM45 and ICH9ME chipset
- Intel® 82567LM GigaBit LAN
- Intel® 82574L GigaBit LAN, PCIe
- Intel® GMA 4500MHD VGA, up to 1 GB shared memory, max. resolution 2048 x 1536 @ 75 Hz, VGA interface
- Realtek ALC888 audio controller, 7.1 CH
- Serial ATA for 4 SATA II 300 drives
- Controller with one IDE port (2 x EIDE drives), PCIe
- 4 serial ports (3 x RS232, 1 x RS232/RS422/RS485)
- 8 x USB 2.0 (4 x external, 4 x internal), 2 x PS/2 ports
- 1 x Mini-PCI-Express (x1) slot (internal)
- Compact Flash socket (internal)

Case

- **Solid high-quality industrial case**
- Control LEDs
- Incl. 5 cm system cooler fan, temperature controlled
- Incl. mounting rails
- Power supply: via ext. power supply 100 - 240 VAC
- Dimensions WxDxH: 204 x 226 x 58 mm
- Operating temperatures: 0° ~ 50° C

250 GB 2.5" SATA II 300 quality harddisk (or larger)

Direct access to the Mini-PCI-Express slot, Compact Flash socket and HDD via bottom flap

2 years warranty, burn-in, CE-compliant

Other configurations and operating systems on request!

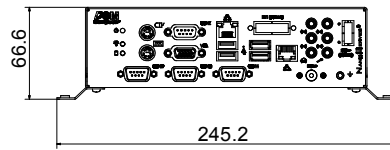
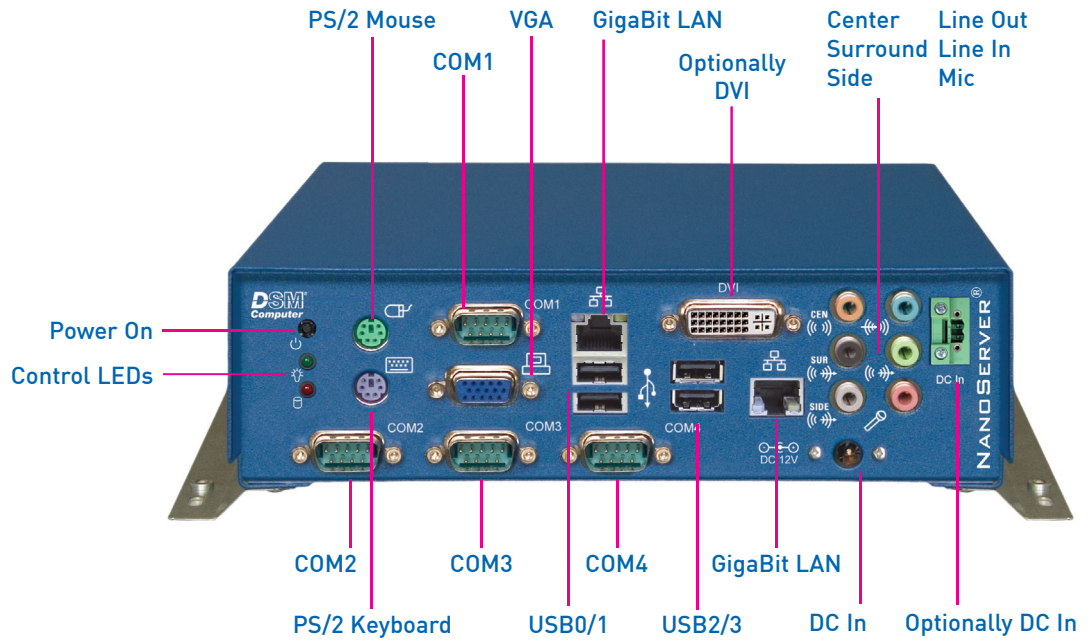
OPTIONS

- CPU Intel® Celeron® Dual Core™ T3100 1.9 GHz
- DVI interface
- Power supply: 24 VDC input (industrial connector)
- SSD (Solid State Drive) instead of HDD
- DIN rail mount

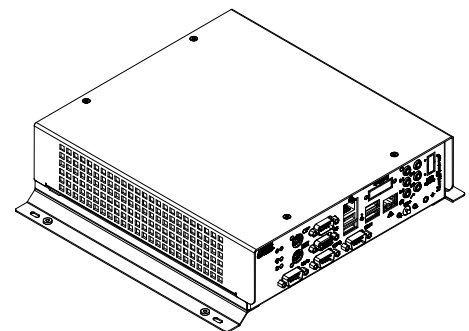
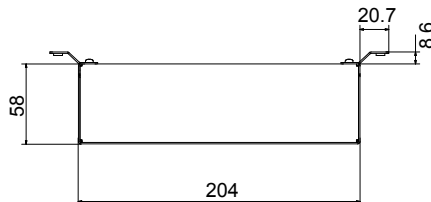
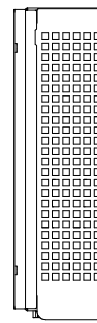
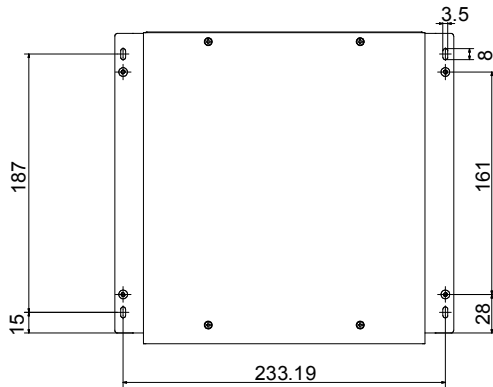
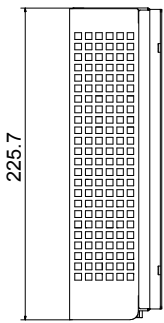
ON REQUEST

- Wireless LAN 802.11b/g/n
- In your customer color available
- With your corporate logo





Layout 96M1563-GM45



ORDER NUMBER

96M1563-GM45

■ NanoServer[®] NN-GM45

Published: April 2012. Subject to change without prior notice