



## Infinity® Panel PC P8-A

industrial case  
touchscreen  
fanless  
21 cm (8.4") display

### TECHNICAL SPECIFICATIONS

#### TFT

- 21 cm (8.4") TFT display, max. 800 x 600, approx. 220 cd/m<sup>2</sup>
- Touchscreen (resistive)

#### Embedded Controller

##### CPU

- Intel® Atom™ N270 1.6 GHz processor, fanless

##### Memory

- 2 GB DDR2 RAM equipped

##### Chipset

- Intel® 945GSE and ICH7M, front side bus 533 MHz

##### LAN controller

- Gigabit LAN, 10/100/1000 base-T/TX, full Duplex, RJ45 port

##### VGA

- Intel® GMA 950 VGA, up to 224 MB shared memory

##### Compact Flash

- Compact Flash socket, type II

##### Serial ports

- Two serial ports (RS232, 16C550 FIFO compatible)
- COM1 selectable as RS232/RS422/RS485

##### Watch-Dog timer

- 1 to 255 - seconds timeout interval

**Other configurations and operating systems on request!**

### GENERAL DESCRIPTION

#### Ports

- 2 x USB, 1 x LAN, 1 x PS/2, 2 x serial

#### Speaker

- 2 x 2 watt

#### Drives

- Incl. 4 GB Compact Flash (or larger)

#### Case

- Solid, high-quality industrial case
- VESA screw thread (75x75)

#### Temperature range

- Storage: -20° ~ 60° C
- Relative humidity: 20% ~ 80%, non-condensing

#### Power supply

- Via external power supply, 100 - 240 VAC or directly via 12 VDC

**2 years warranty, burn-in, CE-compliant**

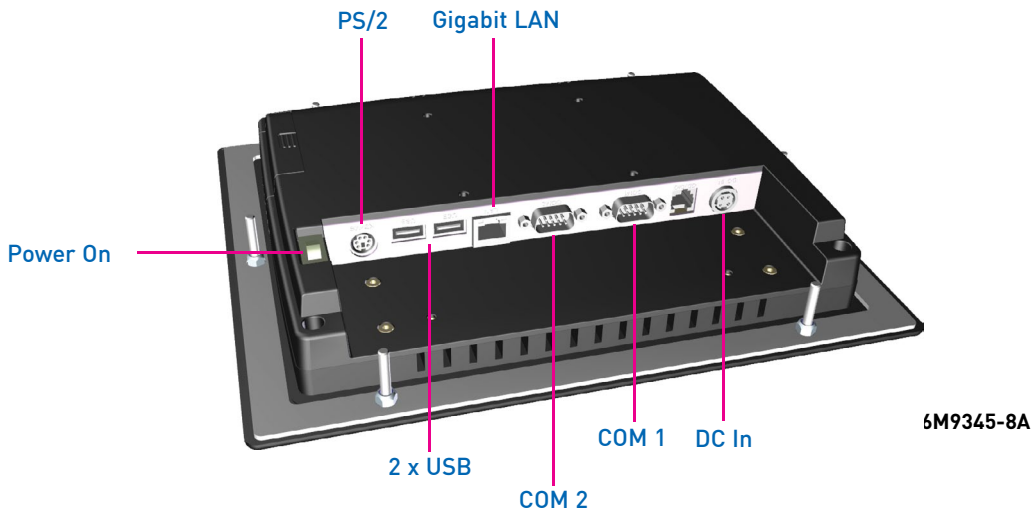


Stand-Alone  
Version  
96M9345-8AS

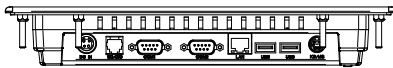
### ON REQUEST

- Front in your customer color available
- With your corporate logo
- Front with IP65 protection

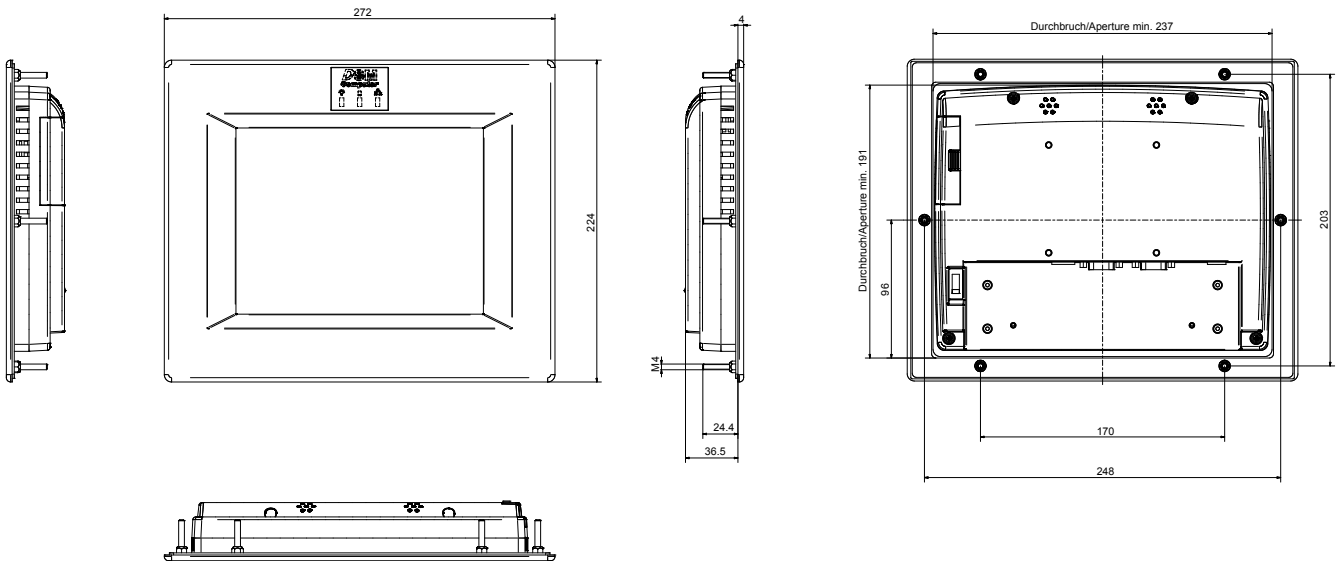




96M9345-8A



Layout 96M9345-8A



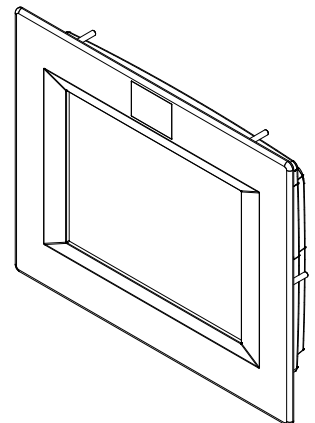
**ORDER NUMBERS**

**96M9345-8A**

- Dimensions WxDxH: 272 x 41 x 224 cm (aluminum front, assembly)
- Operating temperatures: 0° ~ 40° C

**96M9345-8AS**

- Dimensions WxDxH: 234 x 42 x 185 cm (plastic front, stand-alone)
- Operating temperatures: 0° ~ 35° C



Published: April 2012. Subject to change without prior notice